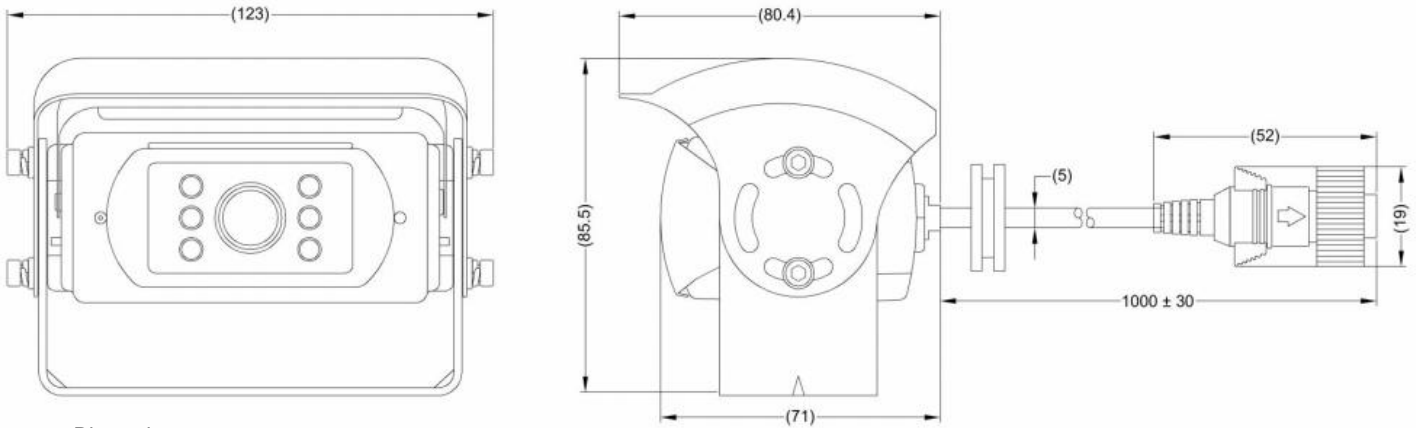


Product Specification

Brigade Model Number: BE-810C

Brigade Stock Code: 1242B



Dimensions: mm

Product Specification

Environmental Specifications:

- Shock Rating: 100 G
- Vibration Rating: 10 G
- Camera IP Rating: IP69K
- Connector IP Rating: IP67
- Operating Temperature: -40° to +80°C
- Storage Temperature: -40° to +85°C

Approved Standards:

- CE
- RoHS
- WEEE
- Element Tested to ISO 16750*
- ISO 20653: 2006
- e-Marking
- EN13309:2010

Technical Specifications:

- Operating Voltage: 12 Vdc
- Current Consumption: ≤370mA @ 12Vdc
- Power Consumption: ≤4.5 Watts @ 12Vdc
- Imaging Devices: CCD - 1/3" SONY
DSP - NextChip
- TV System: PAL
- Picture Elements: 500 (H) x 582 (V)
- Visual Resolution: 380 TV Lines
- Signal to Noise Ratio: Better than 41dB
- Required Illumination: 0 Lux (IR LED's ON)
- Illumination Distance: 5 Meters

Technical Specifications Continued...

- Video Output: 1.0 Vp-p / 75Ω
- Viewing Angle: 103° (H), 71° (V), 134° (D)
- Weight: Approx. 500 Grams
- Length of Cable: 1000mm ± 30
- Overall Dimensions: 123mm (W) x 80.4mm (D) x 85.5mm (H)
- Casing Material: Die cast Aluminium
- View: Mirror/Normal
- Finish: Matt Black

Features:

- Back Light Compensation
- Automatic White Balance
- Automatic IRIS
- 6x High Power Infrared LEDs
- Integrated Heater (<+10°C)
- Integrated Microphone
- BE Type Connector

Package Contents:

- 1 x (BE-810C-C) Camera
- 1 x (BE-81XC & 21X-BKT) Bracket
- 1 x (BE-81XC & 21X-SS) Sunshield
- 1 x (BE-81XC & 21XC FIX) Fixing Pack
- 1 x (BE810C-IG) Instruction Guide

* Note: Contact Brigade Technical for more information about the ISO 16750 testing done on the product